

CHOSEN

VENT TECH LTD.



PRODUCTS

Axial Fan
Centrifugal Fan
Fan Accessories
Mist Spray Fan
Evaporative Air Cooler
Hydroponic(Inline) Duct Fan
Exhaust Fan
Cooling Pad





CHOSEN

VENT TECH LTD. Company Profile

CHOSEN VENT TECH LTD. is a manufacturer who focus on the design and producing for the industrial & commercial ventilators. Our ventilators be use in ventilation system (supply or exhaust) of Building, Air-conditioning, Industrial (HVAC), Firefighting, the commercial & industrial (HVAC) system.

We have products ranges include completed fans & fan accessories. The fans include forward-curve & backward-curve centrifugal fans (Blowers), axial fans, misting fans. The accessories include forward-curve & backward-curve impellers, axial impellers, fan blades and so on. We are not only manufacture products for standard item with bulk quantity, but also we provide project solution and fan type selection. Custom, semi-custom, OEM, ODM also our advantages.

Our engineers who with more than 20years experience in fans design, with the help of the advanced processing equipments (Laser cuttings, CNC lathers & bendings, Rolling, Dynamic balance) and experienced workers, they ensure the fans with high quality. And the fans be test by airway system so their technical parameters are truth & reliable.

Currently, our products have been exported to more than 30countries, and win trust & affirmation of the clients.

We CHOSEN VENT TECH LTD will be your honest and reliable partner.

FORWARD CENTRIFUGAL FAN



Forward Curved Centrifugal Fan (SWSI)		
Technical Specification		
Impeller Dia Range Ø	mm	75 ~ 1400
Air flow	CMH	110 ~ 204000
Air pressure	Pa	70 ~ 1621
Electric Option	V/HA/Phase	220V/380V/420V
		50HZ/60HZ
		single phase / 3phase
Power Option	KW	0.025 ~ 55
Motor Grade	Protection	IP44, IP54, IP55
	Insulation	B, E, F
Material Option	Fan housing Frame	Galvanized
		Mile Steel with Powder Coating
	Fan impeller	#304 S.S., #316 S.S., #316L S.S.
		Aluminum Alloy
		Galvanized
		#304 S.S., #316 S.S., #316L S.S.
Driven Option		Direct (A), Belt (B,C,E,F), Coupling (D)
Function Option	Popular	For normal usage situation
	Explosion	
	Firefighting	
Customizable		

Applications:

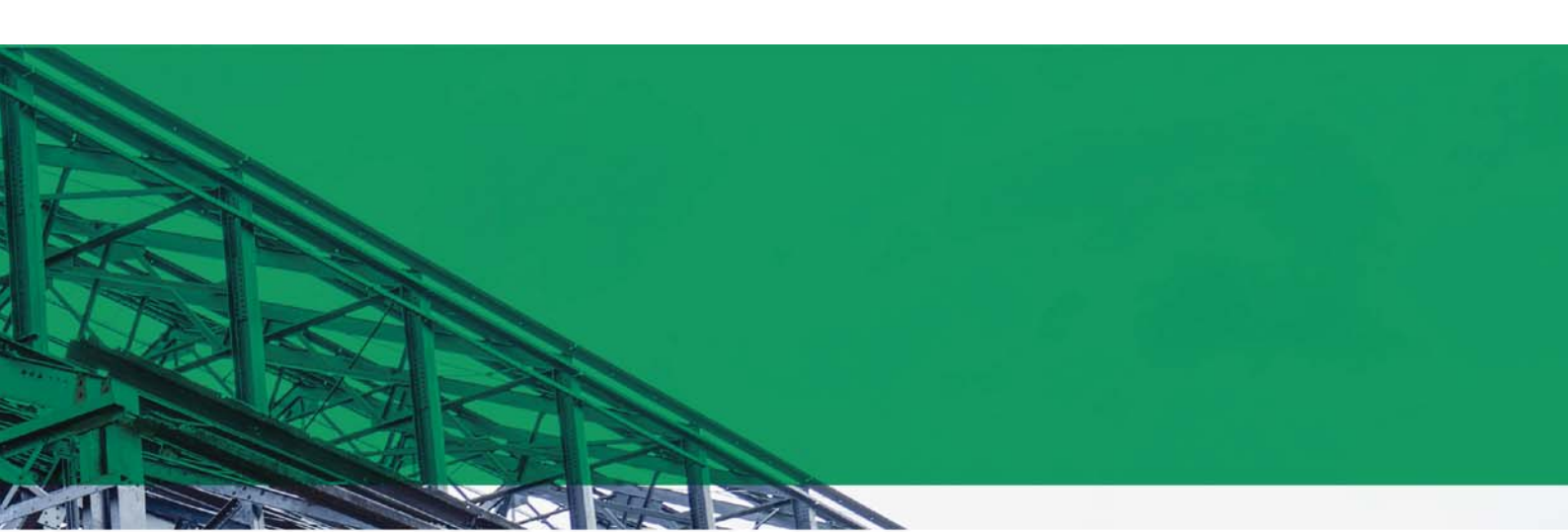
For ventilation (supply or exhaust) system and industrial(HVAC) applications such as building, air-conditioning, firfighting, air circulation or cooling and so on.

For equipments or system of filtration & drying, fume hood & spray booth, paiting room, food processing , kitchen room and so on.

For transport gerneral gas, the gas should not contain any sticky substances, which the dust or solid particles should less than 100mg/m³.

Advantages:

- ⊙The Fan with Compact structure.
- ⊙The impeller will do by dynamic balancing tests. It greatly improves the stability of the impeller operation, and reduces the vibration and noise.
- ⊙The Fan with advantages of small volume, light weight, angle adjustable and convenient for installation and maintenance.
- ⊙Transportation gas temperature at -20°C ~ 200°C.
- ⊙The fan performance be test by airway or AMCA both available, the fan performance data is truth and reliable.



AU=右180°



AS=右90°



AG=右270°



AG=右270°



BU=左180°



BS=左90°



BG=左270°



BG=左270°

Performance Data

Item	Impeller Dia	Voltage	Power	Speed	Air Flow	Air Pressure
	mm	V	W	rpm	CMH	Pa
CH-CF75	75	220	25	2850	110-135	128-70
CH-CF100	100	220	40	2850	140-180	200-110
CH-CF125	125	220	90	2850	350-410	340-300
CH-CF150	150	220/380	200	2850	700-900	400-200
CH-CF160	160	220/380	250	2850	800-1080	900-700
CH-CF175	175	220/380	550	2850	1200-1300	930-700
CH-CF190	190	220/380	750	2850	1800-2100	840-760
CH-CF190	190	220/380	180	1400	900-1080	280-210
CH-CF230	230	220/380	1500	2850	2200-3000	1230-1000
CH-CF230	230	220/380	370	1400	1000-1600	360-200
CH-CF250	250	220/380	2200	2850	3000-3800	1471-1275
CH-CF250	250	220/380	750	1400	2200-2500	450-380
CH-CF270	270	220/380	750	1400	1800-3200	590-430
CH-CF300	300	380	1500	1400	4000-4500	750-600
CH-CF350	350	380	3000	1400	5100-7000	1200-1000
CH-CF400	400	380	4000	1400	7500-8500	1400-1200
CH-CF400L	400	380	2200	960	9000-10000	610-530
CH-CF450	450	380	7500	1400	9000-12000	1500-1300
CH-CF500	500	380	5500	960	10000-12000	960-900
CH-CF550	550	380	7500	960	13000-15000	1200-1100
CH-CF600	600	380	7500	960	11000-13000	1400-1250
CH-CF600	600	380	11000	960	13000-16000	1250-1100

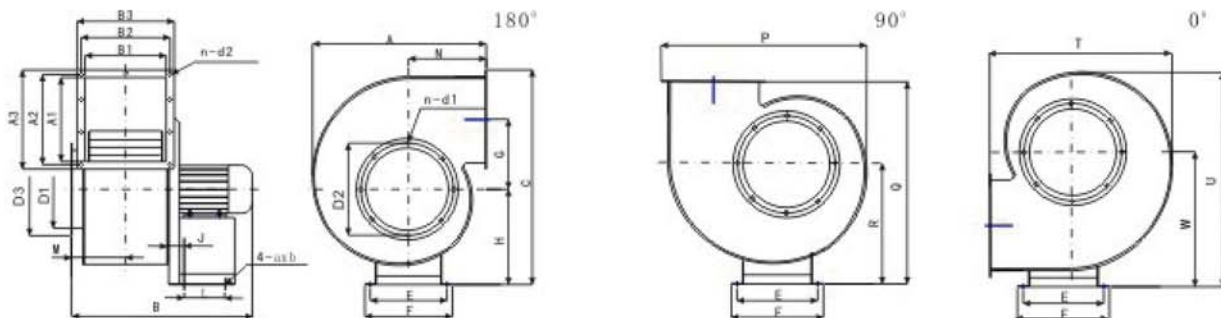
PRODUCT SIZE

▶ STAINLESS STEEL

Unit: mm

Item	Inlet Size				Outlet Size							Installation Dimensions				
	D1	D2	D3	n-d1	A1	A2	A3	B1	B2	B3	n-d2	E	F	J	L	n-axb
160	125	145	165	6-φ7	103	120	135	90	105	120	4-φ7	180	210	20	120	4-φ10
175	130	156	180	6-φ7	112	142	160	105	142	160	4-φ7	180	210	20	145	4-φ10
190	150	175	200	6-φ7	150	175	200	120	145	170	8-φ7	216	245	35	115	4-10*20
230	180	206	230	8-φ8	176	202	226	138	164	188	8-φ8	230	260	35	130	4-10*20
250	190	220	250	8-φ8	210	234	260	135	162	185	10-φ8	230	260	40	130	4-10*20
270	210	240	270	8-φ8	250	280	310	165	195	225	8-φ8	216	245	35	115	4-10*20
300	220	250	280	8-φ8	270	300	330	190	220	250	8-φ8	226	260	30	150	4-10*25
350	270	305	330	8-φ8	295	330	355	185	217	245	10-φ8	265	300	40	160	4-12*25
400	300	335	370	8-φ8	296	330	366	200	235	270	10-φ9	300	340	40	180	4-12*25
400L	300	335	370	8-φ8	296	330	366	337	369	407	12-φ9	300	340	40	180	4-12*25
450	350	390	420	12-φ10	285	320	355	245	280	315	8-φ10	345	380	50	250	4-12*30
500	404	440	470	12-φ12	394	432	464	380	417	450	12-φ12	350	400	50	250	4-12*30
550	450	490	520	12-φ12	480	513	550	380	414	450	12-φ12	400	450	50	280	4-12*30
600	500	540	570	12-φ12	480	513	550	355	390	425	12-φ12	400	450	50	280	4-12*30

Item	Dimensions (180°)							Dimensions (90°)			Dimensions (0°)		
	A	B	C	H	G	M	N	P	Q	R	T	U	W
160	259	329	361	183	110	77	115	304	298	183	260	310	183
175	283	362	383	186	117	83	130	330	316	186	283	343	210
190	329	408	405	170	135	92	158	389	343	185	329	404	250
230	388	448	458	200	145	109	180	441	410	230	388	453	270
250	446	474	528	220	178	110	200	516	460	260	446	534	326
270	448	465	503	305	135	128	220	488	460	240	448	500	270
300	531	539	635	265	205	147	235	622	545	310	531	637	385
350	615	565	750	305	268	145	260	734	630	370	615	749	460
400	615	595	770	305	282	152	265	753	635	370	615	764	475
400L	615	732	770	305	282	221	265	753	635	370	615	764	475
450	746	732	829	350	302	175	360	813	760	400	746	824	490
500	780	867	770	380	321	240	350	913	800	450	780	930	570
550	918	937	770	435	348	242	418	1041	938	520	918	1058	640
600	926	912	1044	450	321	230	436	1023	946	510	926	1039	610

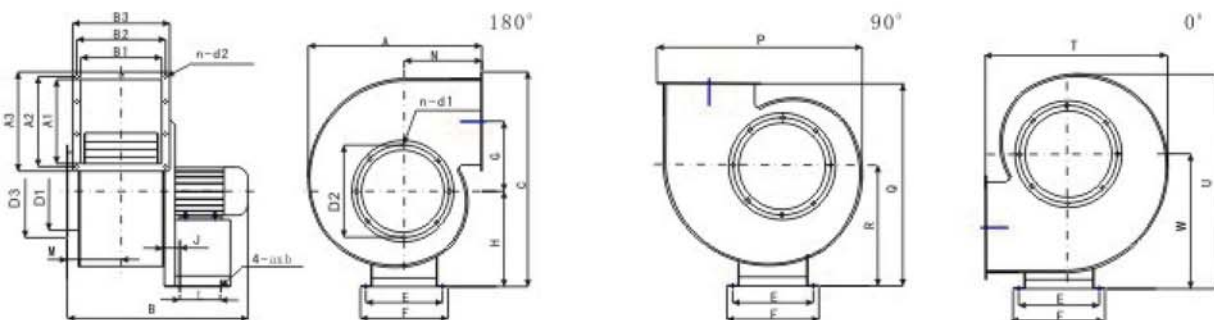


PRODUCT SIZE GALVANIZED

Unit: mm

Item	Inlet Size				Outlet Size							Installation Dimensions				
	D1	D2	D3	n-d1	A1	A2	A3	B1	B2	B3	n-d2	E	F	J	L	n-axb
160	125	145	165	6-φ7	103	120	135	90	105	120	4-φ7	180	210	20	120	4-φ10
175	130	156	180	6-φ7	112	142	160	105	142	160	4-φ7	180	210	20	145	4-φ10
190	200	230	250	8-φ8	150	175	200	120	145	170	8-φ8	263	289	28	115	4-10*20
230	180	206	230	8-φ8	176	202	226	138	164	188	8-φ8	320	346	40	130	4-10*20
250	250	286	310	8-φ8	210	234	260	135	162	185	10-φ8	320	346	40	130	4-10*20
270	270	305	330	8-φ8	250	280	310	165	195	225	8-φ8	335	360	35	115	4-10*20
300	310	336	370	8-φ8	270	300	330	190	220	250	8-φ8	362	390	30	150	4-10*20
350	360	386	420	12-φ8	296	330	355	193	217	247	10-φ8	430	462	40	160	4-12*25
400	404	430	464	12-φ8	296	330	355	193	217	247	10-φ10	478	515	40	170	4-12*25
400L	404	430	464	12-φ8	296	330	356	337	369	407	10-φ10	478	515	40	170	4-12*25
450	453	490	515	12-φ10	296	330	356	254	286	314	10-φ10	540	575	40	230	4-12*30
500	510	550	586	12-φ10	408	444	480	348	384	418	12-φ12	608	642	50	250	4-12*30
550	570	610	640	12-φ10	480	513	548	380	414	448	12-φ12	668	700	50	300	4-12*30
600	606	640	674	12-φ10	560	592	628	350	384	418	14-φ12	668	700	50	300	4-12*30

Item	Dimensions (180°)							Dimensions (90°)			Dimensions (0°)		
	A	B	C	H	G	M	N	P	Q	R	T	U	W
160	259	329	361	183	110	77	115	304	298	183	260	310	183
175	283	362	383	186	117	83	130	330	316	186	283	343	210
190	329	420	480	245	135	105	158	389	403	245	329	399	245
230	388	445	528	270	145	109	180	441	450	270	388	453	270
250	445	470	625	315	179	113	200	515	515	315	445	522	315
270	447	465	585	295	135	133	220	488	515	295	447	493	295
300	532	540	750	380	205	155	235	623	615	380	532	633	380
350	615	550	896	450	268	157	260	735	710	450	610	740	450
400	615	660	930	470	281	187	260	750	730	470	613	760	470
400L	615	725	930	470	281	230	260	750	730	470	613	760	470
450	720	750	960	485	297	187	335	810	820	485	720	820	485
500	797	840	1130	570	320	234	350	935	920	570	797	945	570
550	920	930	1252	630	348	290	420	1042	1050	630	920	1050	630
600	920	930	1252	630	308	290	450	1042	1080	630	920	1050	630



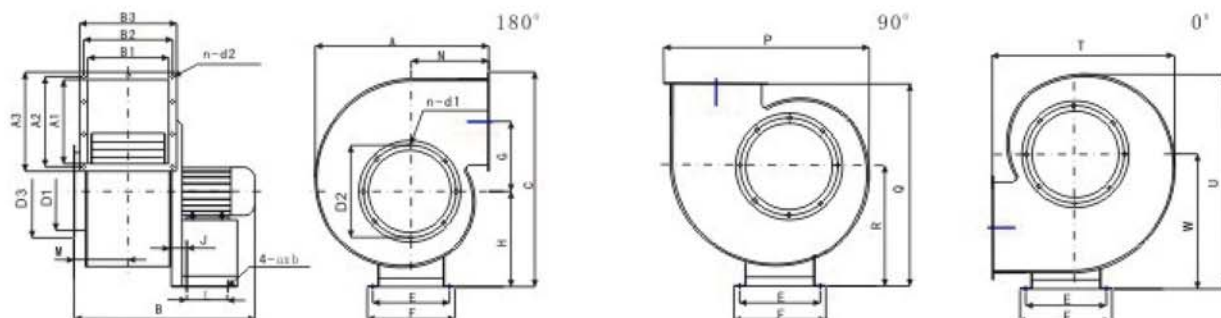
PRODUCT SIZE

▶ POWDER COATING

Unit: mm

Item	Inlet Size				Outlet Size							Installation Dimensions				
	D1	D2	D3	n-d1	A1	A2	A3	B1	B2	B3	n-d2	E	F	J	L	n-axb
160	125	145	165	6-φ7	103	120	135	90	105	120	4-φ7	180	210	20	120	4-φ10
175	130	156	180	6-φ7	112	142	160	105	142	160	4-φ7	180	210	20	145	4-φ10
190	200	230	250	8-φ8	150	175	200	120	145	170	8-φ8	263	289	28	115	4-10*20
230	180	206	230	8-φ8	176	202	226	138	164	188	8-φ8	320	346	40	130	4-10*20
250	250	286	310	8-φ8	210	234	260	135	162	185	10-φ8	320	346	40	130	4-10*20
270	270	305	330	8-φ8	250	280	310	165	195	225	8-φ8	335	360	35	115	4-10*20
300	310	336	370	8-φ8	270	300	330	190	220	250	8-φ8	362	390	30	150	4-10*20
350	360	386	420	12-φ8	296	330	355	193	217	247	10-φ8	430	462	40	160	4-12*25
400	404	430	464	12-φ8	296	330	355	193	217	247	10-φ10	478	515	40	170	4-12*25
400L	404	430	464	12-φ8	296	330	356	337	369	407	10-φ10	478	515	40	170	4-12*25
450	453	490	515	12-φ10	296	330	356	254	286	314	10-φ10	540	575	40	230	4-12*30
500	510	550	586	12-φ10	408	444	480	348	384	418	12-φ12	608	642	50	250	4-12*30
550	570	610	640	12-φ10	480	513	548	380	414	448	12-φ12	668	700	50	300	4-12*30
600	606	640	674	12-φ10	560	592	628	350	384	418	14-φ12	668	700	50	300	4-12*30

Item	Dimensions (180°)							Dimensions (90°)			Dimensions (0°)		
	A	B	C	H	G	M	N	P	Q	R	T	U	W
160	259	329	361	183	110	77	115	304	298	183	260	310	183
175	283	362	383	186	117	83	130	330	316	186	283	343	210
190	329	420	480	245	135	105	158	389	403	245	329	399	245
230	388	445	528	270	145	109	180	441	450	270	388	453	270
250	445	470	625	315	179	113	200	515	515	315	445	522	315
270	447	465	585	295	135	133	220	488	515	295	447	493	295
300	532	540	750	380	205	155	235	623	615	380	532	633	380
350	615	550	896	450	268	157	260	735	710	450	610	740	450
400	615	660	930	470	281	187	260	750	730	470	613	760	470
400L	615	725	930	470	281	230	260	750	730	470	613	760	470
450	720	750	960	485	297	187	335	810	820	485	720	820	485
500	797	840	1130	570	320	234	350	935	920	570	797	945	570
550	920	930	1252	630	348	290	420	1042	1050	630	920	1050	630
600	920	930	1252	630	308	290	450	1042	1080	630	920	1050	630





CHOSEN VENT TECH LTD.

Address: No.201-1 of 22, International Woodworking Machinery Area, Licun
Lunjiao, Shunde District, Foshan City, Guangdong, China

Production Base: 102 No.5 west of Xianchongzhongxin Road, Qiaonan Street,
Panyu District, Guangzhou, China

Tel: +86-757-27888568

Fax: +86-757-27888568

E-mail: info@ch-ventilation.com

Website: www.ch-ventilation.com